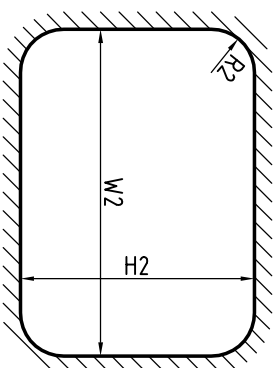
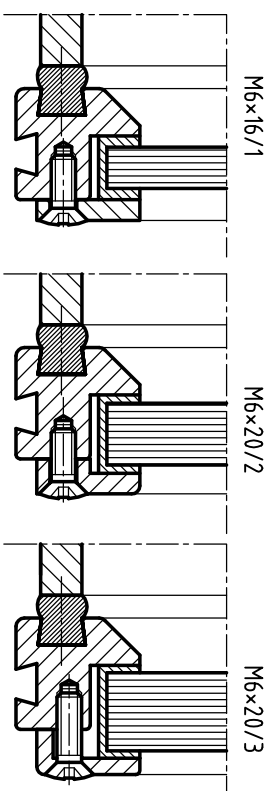
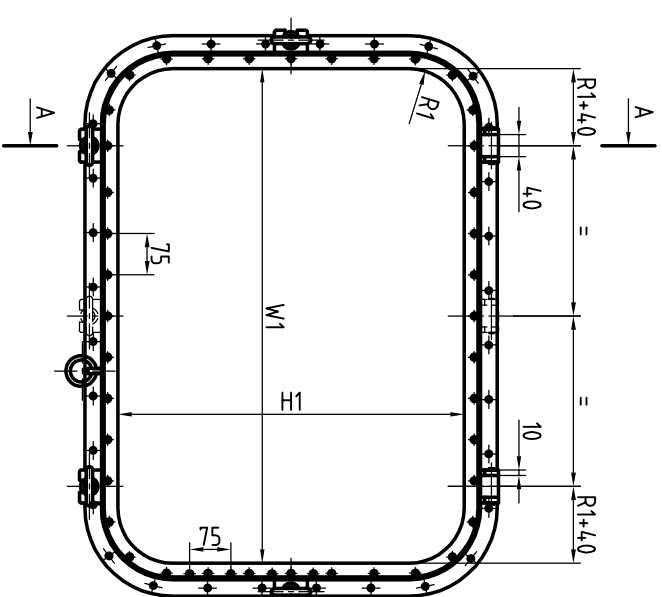
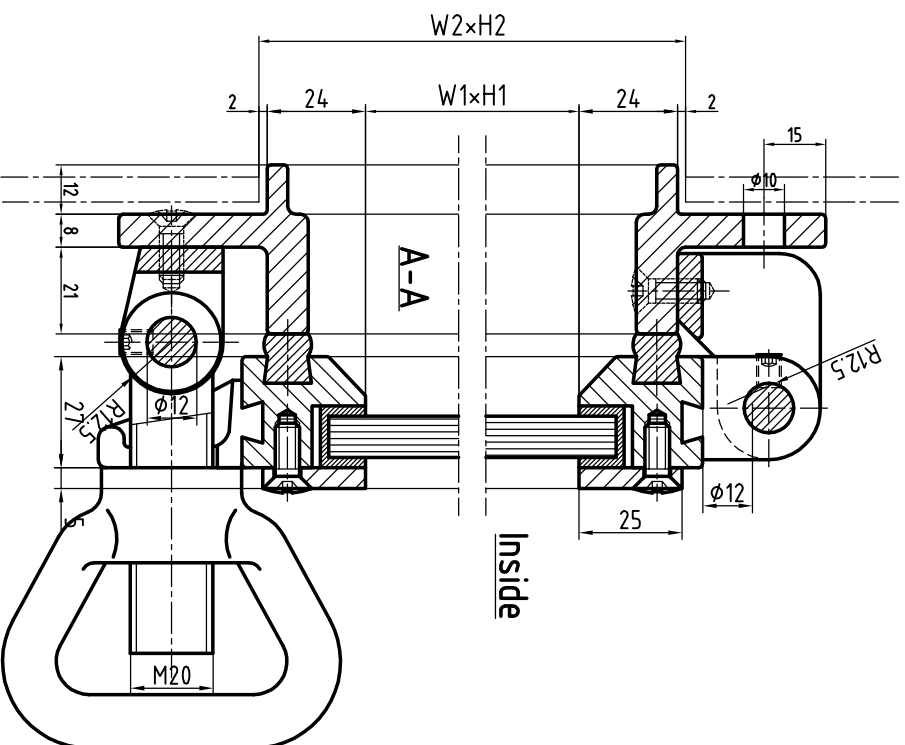


Hole in plate



Materials:
 Bolt/frame: Brass/Aluminum
 Glass/frame: Brass/Aluminum
 Screw/inglist: Brass/Aluminum/Stainless steel
 Hinge pins: Brass/Stainless steel
 U-Sealant: Rubber
 Glasspane: Toughened glass,
 tested acc. to ISO 614
 Screws: Brass/Stainless steel DIN 966, M6×16/M6×20
 Fasteners: Brass/Stainless steel



* with 8 fasteners

No	Nominal size	Hole in plate	Radius	Glass thick.	Screws and list
1	W1xH1	W2xH2	R1 R2	type E type F	type E type F
1	500×710	552×762	100 126	15 10	M6×20/2 M6×16/1
2	560×800	612×852	100 126	15 10	M6×20/2 M6×16/1
3	900×630	952×682	100 126	19 12	M6×20/3 M6×16/1
4*	1000×710	1052×762	100 126	19 12	M6×20/3 M6×16/1
5*	1100×800	1152×852	100 126	- 15	- M6×20/2

PROMAP LTD.
Bydgoszcz, POLAND

Drawn: Skenski Date: 01-04-2014

Title: **Inside hinged window ITW**

Tel: +48 52 3216131 Fax: +48 52 3764726

Email: promap@promap.eu

ISO 3903

AutoCAD file no. **WHB-03**