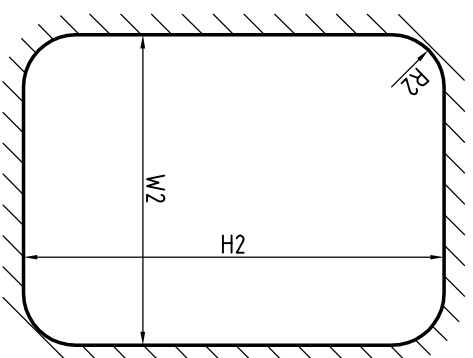
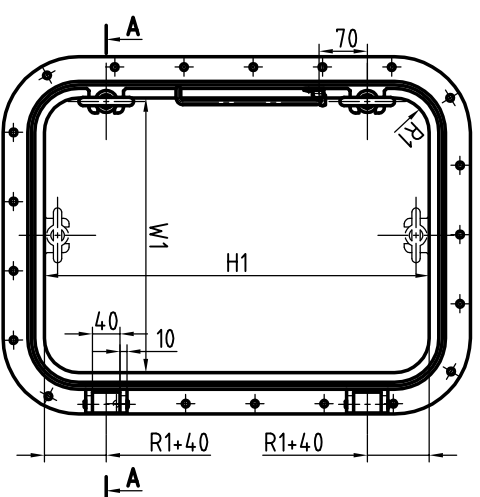


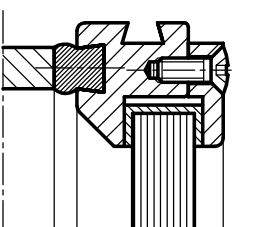
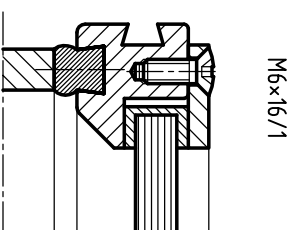
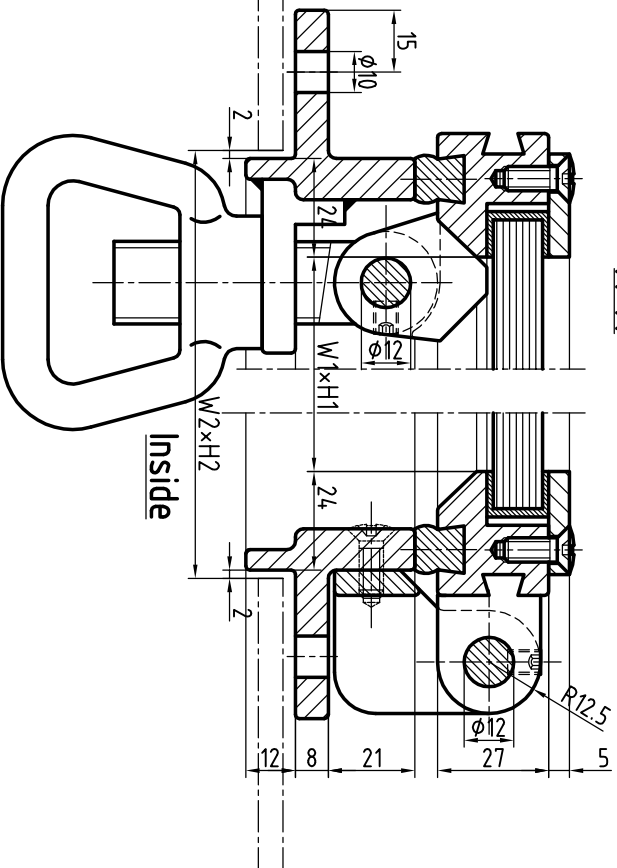
Materials:
 Bolt/frame: Brass/Aluminum
 Glass/frame: Brass/Aluminum
 Screwing/list: Brass/Aluminum/Stainless steel
 Hinge pins: Brass/Stainless steel
 U-Sealant: Rubber
 Glass/pane: Toughened glass,
 tested acc. to ISO 614
 Screws: Brass/Stainless steel DIN 966, M6x16/M6x20
 Fasteners: Brass/Stainless steel



Left hinged, OLW is drawn
 Right hinged is opposite



A-A



* with 6 fasteners

No	Nominal size		Hole in plate		Radius		Glass thick.			Screws and list	
	W1xH1	W2xH2	R1	R2	type E	type F	type E	type F	type E	type F	
1	300x425	352x477	50	76	10	10	M6x16/1	M6x16/1	M6x16/1	M6x16/1	
2	355x500	407x552	50	76	10	10	M6x16/1	M6x16/1	M6x16/1	M6x16/1	
3	400x560	452x612	50	76	12	10	M6x16/1	M6x16/1	M6x16/1	M6x16/1	
4	450x630	502x682	100	126	12	10	M6x16/1	M6x16/1	M6x16/1	M6x16/1	
5*	500x710	552x762	100	126	15	10	M6x20/2	M6x20/2	M6x16/1	M6x16/1	
6*	560x800	612x852	100	126	15	10	M6x20/2	M6x20/2	M6x16/1	M6x16/1	

PROMAP LTD.
Bydgoszcz, POLAND

Drawn: Skenski
 Date: 01-04-2014
 Title: **Outside hinged window OW**
 Tel: +48 52 3216131 Fax: +48 52 3764726
 Email: promap@promap.eu
 AutoCAD file no. **WHB-02**

