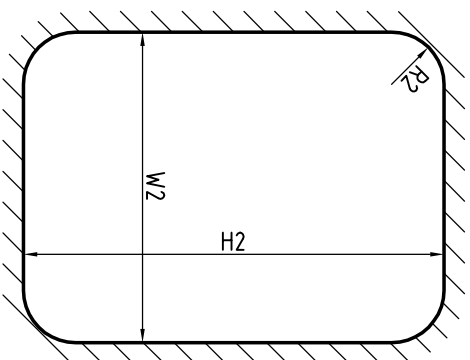
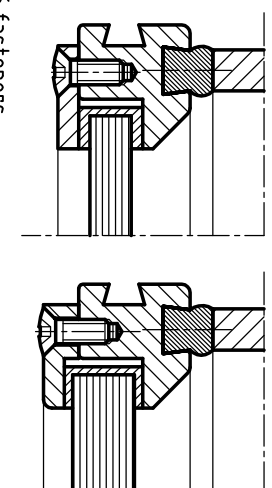
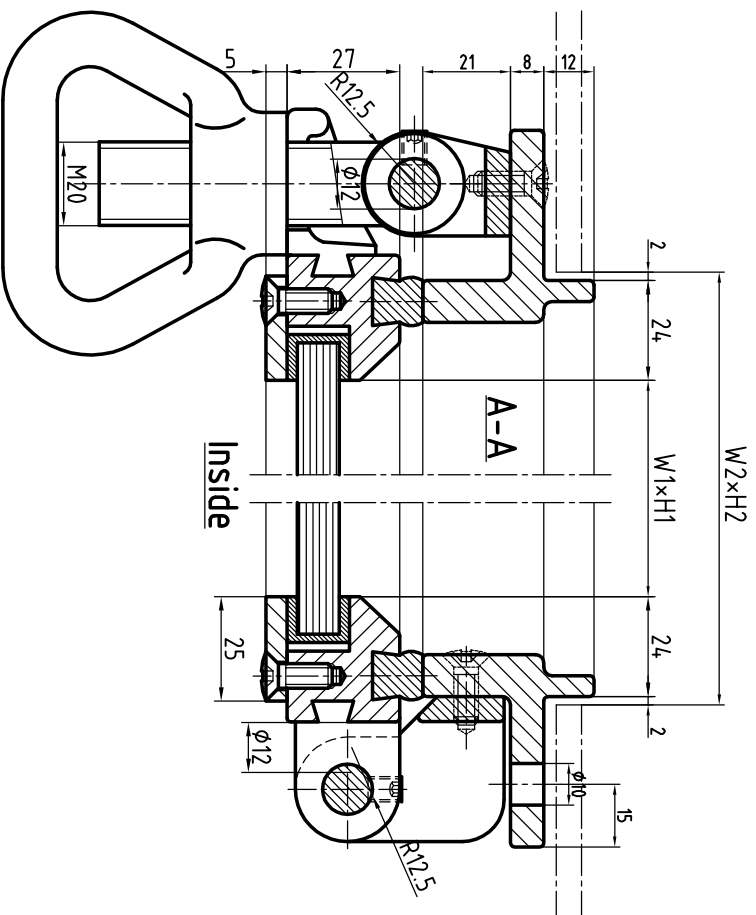
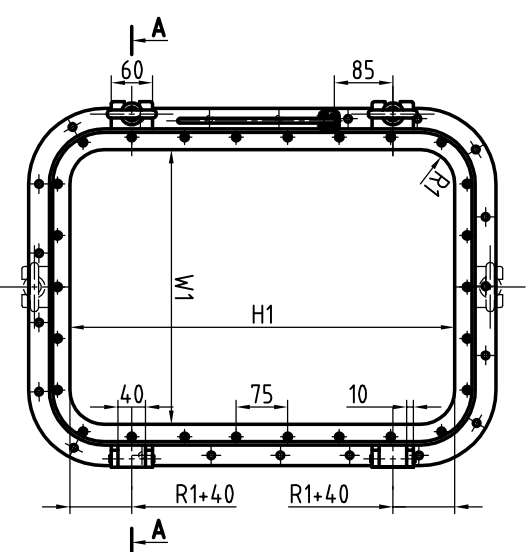


Materials:  
 Bolt/frame: Brass/Aluminum  
 Glass/frame: Brass/Aluminum  
 Screwing/list: Brass/Aluminum/Stainless steel  
 Hinge pins: Brass/Stainless steel  
 U-Sealant: Rubber  
 Glass/pane: Toughened glass,  
 tested acc. to ISO 614  
 Screws: Brass/Stainless steel DIN 966, M6x16/M6x20  
 Fasteners: Brass/Stainless steel

Hole in plate



Right hinged, IRW is drawn  
 Left hinged is opposite



\* with 6 fasteners

No	Nominal size		Hole in plate		Radius		Glass thick.		Screws and list	
	W1xH1	W2xH2	R1	R2	type E	type F	type E	type F		
1	300x425	352x477	50	76	10	10	M6x16/1	M6x16/1		
2	355x500	407x552	50	76	10	10	M6x16/1	M6x16/1		
3	400x560	452x612	50	76	12	10	M6x16/1	M6x16/1		
4	450x630	502x682	100	126	12	10	M6x16/1	M6x16/1		
5*	500x710	552x762	100	126	15	10	M6x20/2	M6x16/1		
6*	560x800	612x852	100	126	15	10	M6x20/2	M6x16/1		

**PROMAP LTD.**  
**Bydgoszcz, POLAND**

Drawn: Skenski  
 Date: 01-04-2014  
 Title: **Inside hinged window IW**  
 Tel: +48 52 3216131 Fax: +48 52 3764726  
 Email: promap@promap.eu  
 ISO 3903  
 AutoCAD file no. **WHB-01**