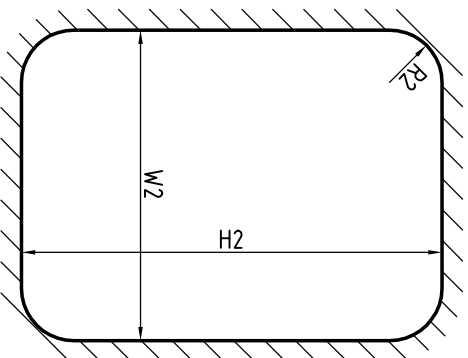
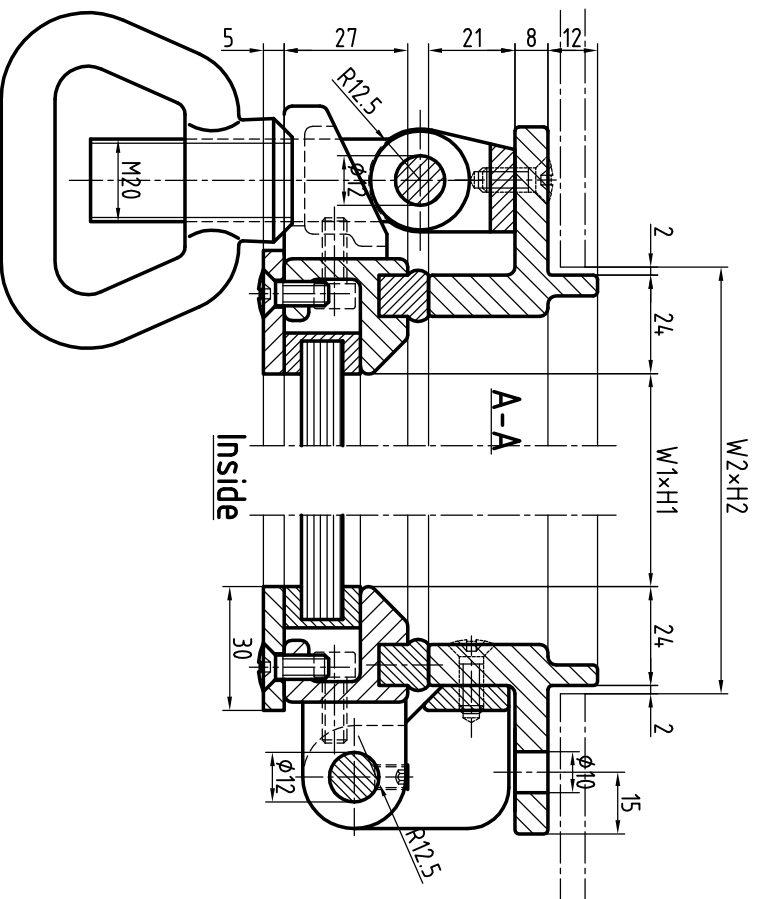
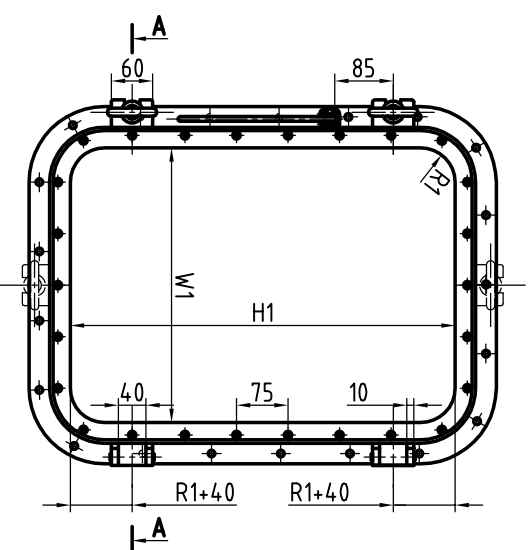


Materials:  
 Bolt/frame: Aluminium  
 Glass/frame: Stainless steel  
 Screwing/list: Stainless steel  
 Hinge pins: Stainless steel  
 U-Sealant: Rubber  
 Glass/pane: Toughened glass,  
 tested acc. to ISO 614  
 Screws: Stainless steel DIN 966, M6×16/M6×20  
 Fasteners: Stainless steel

Hole in plate



Right hinged, IRW is drawn  
 Left hinged is opposite



\* with 6 fasteners

No	Nominal size		Hole in plate		Radius		Glass thick.	
	W1xH1	W2xH2	R1	R2	type E	type F		
1	300x425	352x477	50	76	10	10		
2	355x500	407x552	50	76	10	10		
3	400x560	452x612	50	76	12	10		
4	450x630	502x682	100	126	12	10		
5*	500x710	552x762	100	126	15	10		
6*	560x800	612x852	100	126	15	10		

PROMAP LTD.  
 Bydgoszcz, POLAND

Drawn: Skenski  
 Date: 01-04-2014  
 Title: Inside hinged window IW  
 Tel: +48 52 3216131 Fax: +48 52 3764726  
 Email: promap@promap.eu  
 AutoCAD file no. WHB-01.1