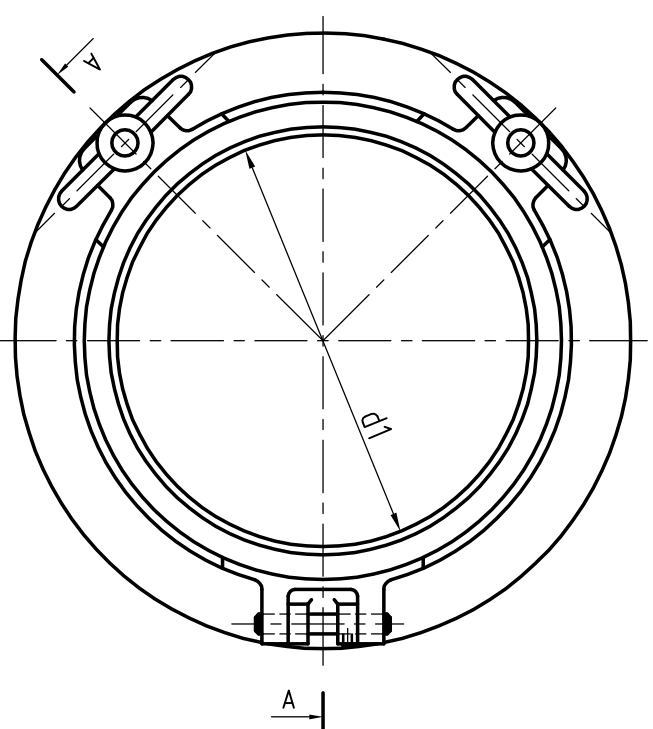
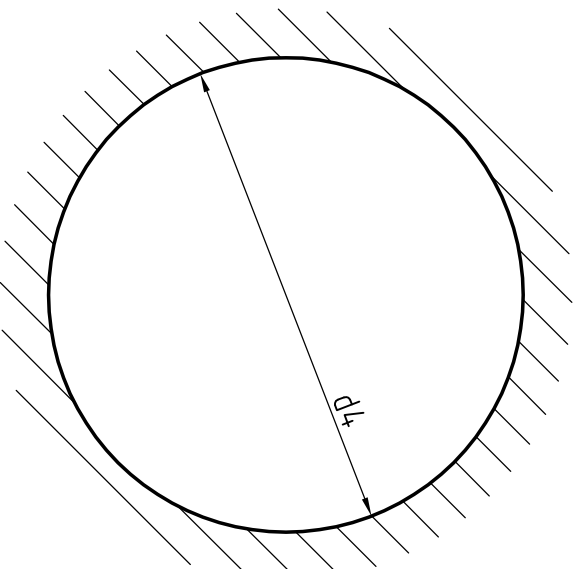
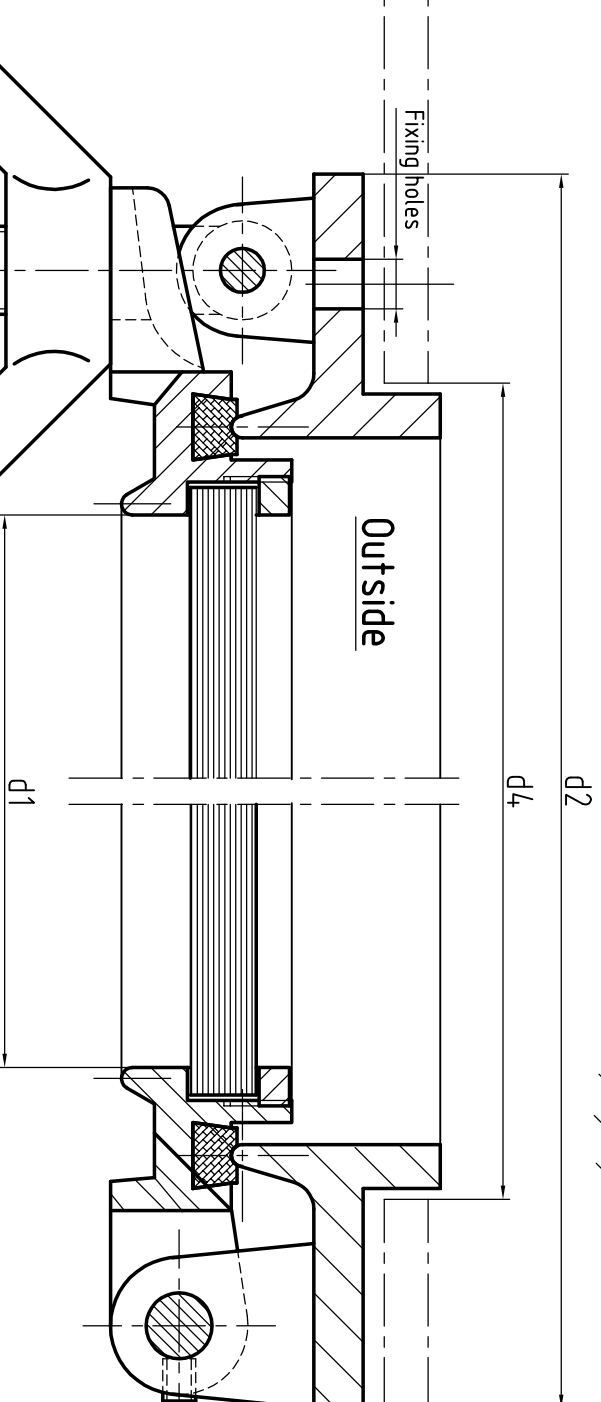


Hole in plate



A-A



ϕ 250-300 with 2 fasteners
 ϕ 125-150-200 with 1 fastener

Nominal size	Hole in plate	Frame size
d1	d4	d2
125	159	230
150	186	264
200	242	310
250	293	380
300	343	430

Materials:

Bolt/frame: Brass or aluminum
 U-Sealant: Simson
 Hinge pins: Brass or stainless steel
 Fasteners: Brass or stainless steel
 Glasspane: Toughened glass,
 tested acc. to ISO 614

PROMAP Ltd.
Bydgoszcz, POLAND

Drawn:	Skenski	Date:	01-04-2014
Title Hinged sidelight With bolted frame			
Tel: +48 52 3216131	Fax: +48 52 3764726	AutoCAD file no. SHB-01	
Email: promap@promap.eu			