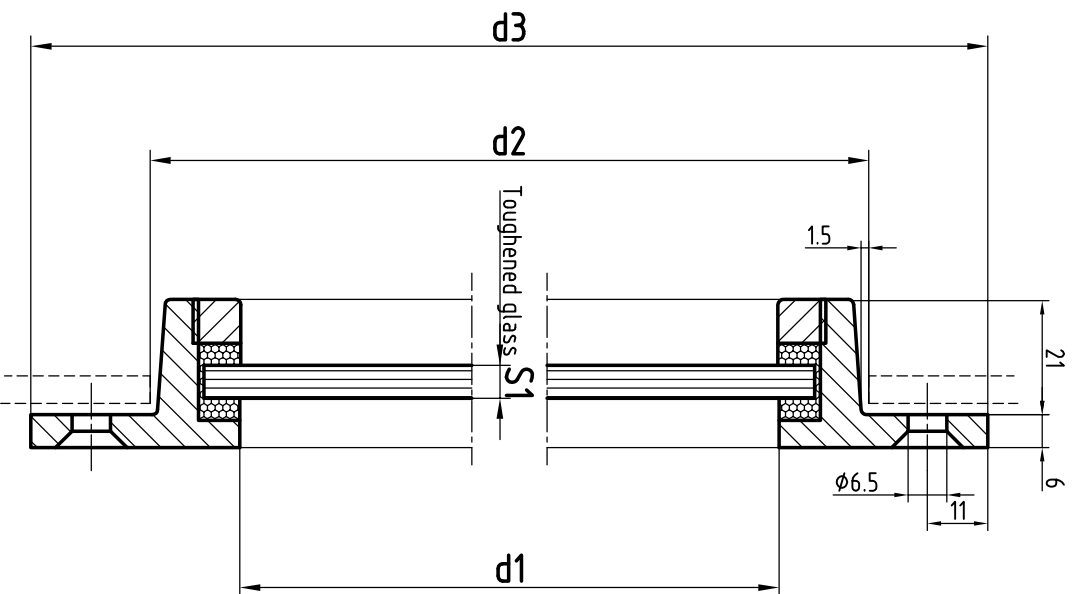
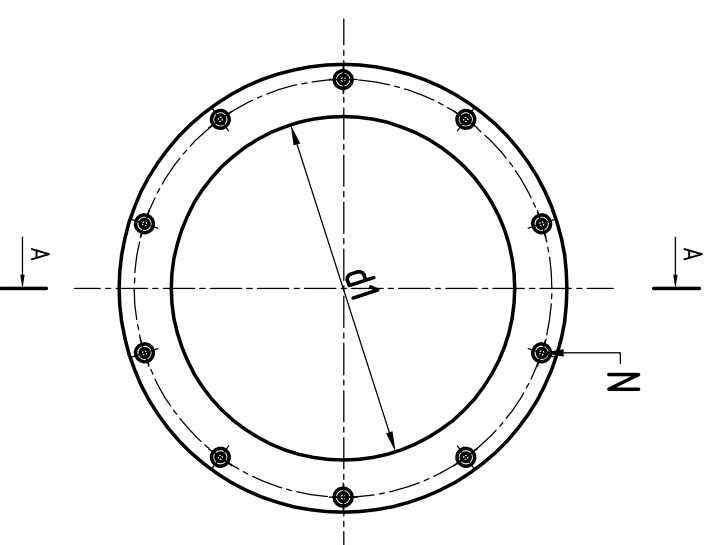
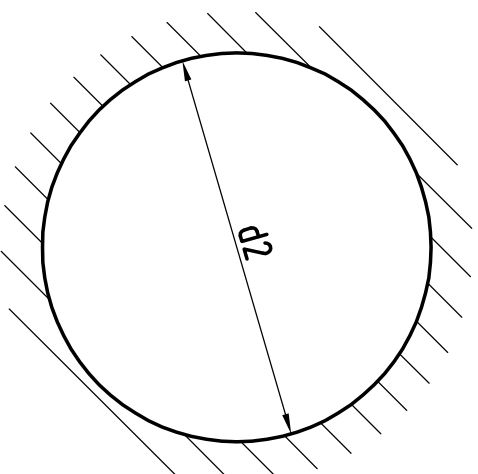


A-A



Hole in plate



Materials:
 Boltingframe: Brass or aluminium
 U-Sealant: Simson
 Glasspane: Toughened glass,
 tested acc. to ISO 614

Nominal size	Hole in plate	Outer size	Glass thick.	No. of holes
d1	d2	d3	S1	N
200	225	266	8-12	8
250	275	316	8-12	10
300	330	371	8-12	12

PROMAP LTD.
Bydgoszcz, POLAND

Drawn:	Skenski	Date:	01-04-2014
Title	Fixed sidelight with bolted frame		
Tel: +48 52 3216131	Fax: +48 52 37164726	AutoCAD file no.	
Email: promap@promap.eu	SFB-01		

