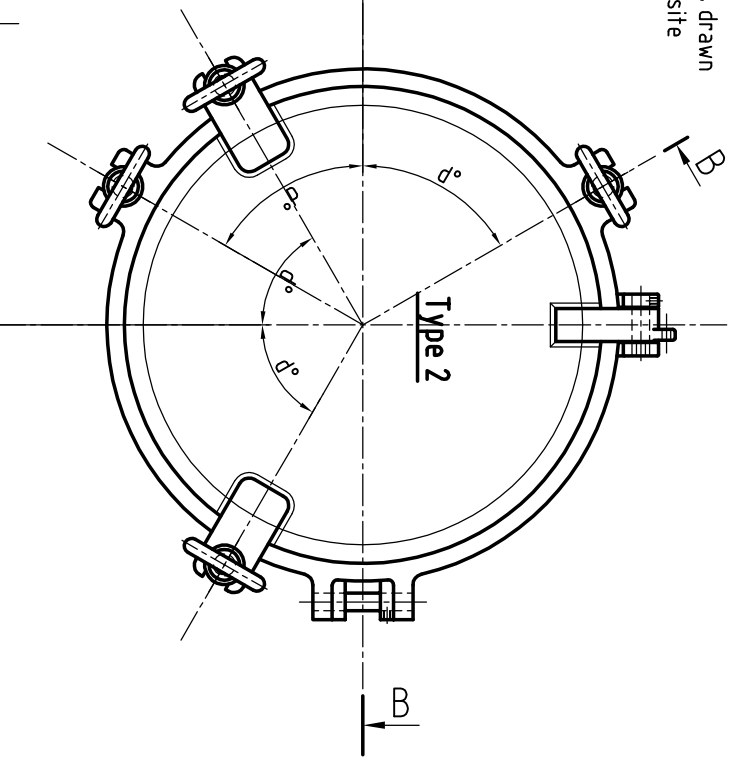
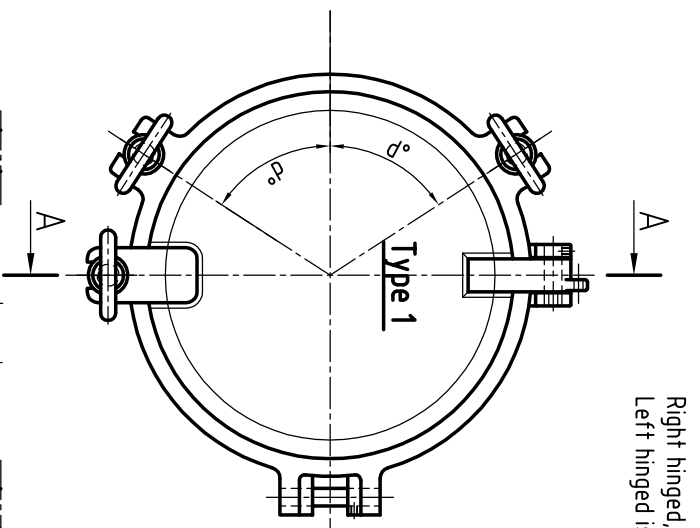
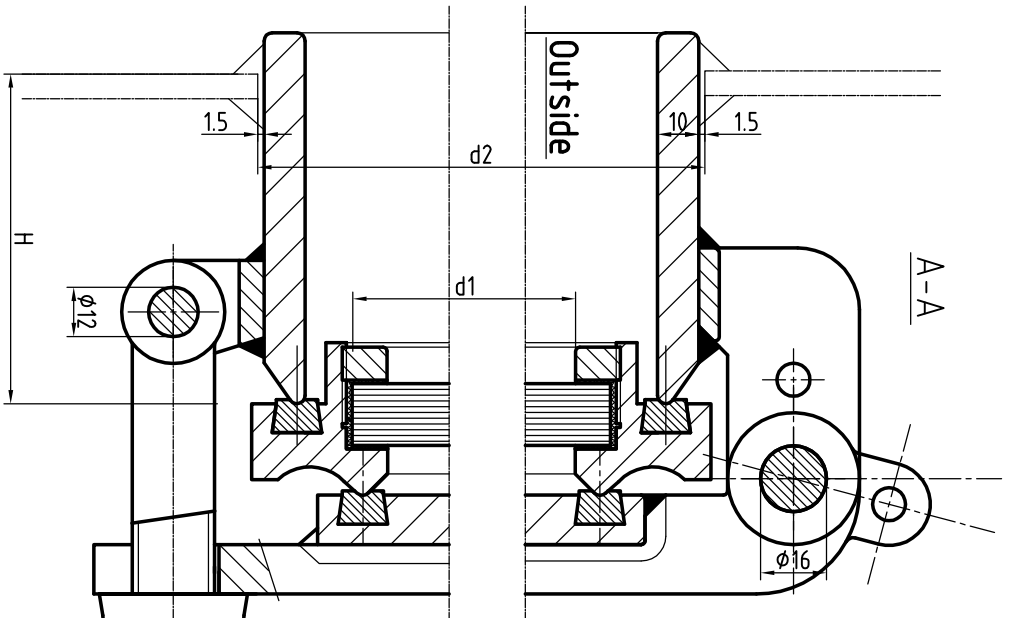
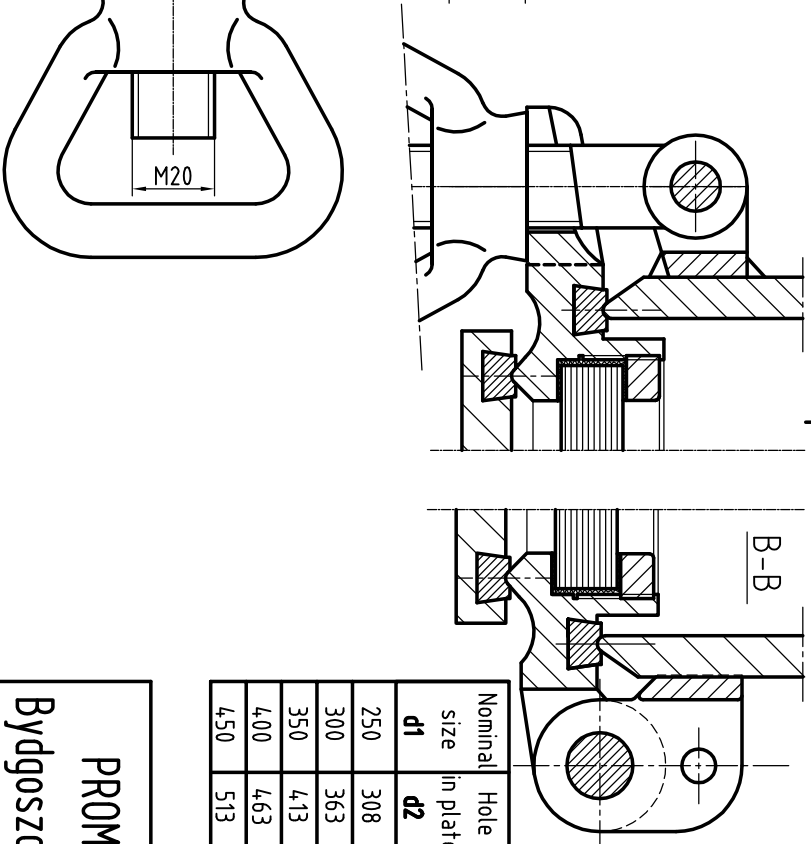


Materials:  
 Weldingframe: Mild steel/Stainless steel  
 Glassframe: Brass/Stainless steel  
 Hinge pins: Brass/Stainless steel  
 Glasspane: Toughened glass,  
 tested acc. to ISO 614  
 Deadlight: Mild steel  
 Fasteners: Brass/Stainless steel



Right hinged, RW is drawn  
 Left hinged is opposite



| Nominal size<br>d1 | Hole in plate<br>d2 | Type(d°) | Glass thickness |        | Frame height  |
|--------------------|---------------------|----------|-----------------|--------|---------------|
|                    |                     |          | type A          | type B |               |
| 250                | 308                 | 1 48     | 12              | 8      | standard-80mm |
| 300                | 363                 | 1 52     | 15              | 10     |               |
| 350                | 413                 | 2 57     | 15              | 12     |               |
| 400                | 463                 | 2 60     | 19              | 12     |               |
| 450                | 513                 | 2 60     | 19              | 12     |               |

**PROMAP LTD.**  
 Bydgoszcz, POLAND

|                                                  |                         |
|--------------------------------------------------|-------------------------|
| Drawn: Skenski                                   | Date: 01-04-2014        |
| Title: <b>Hinged sidelight</b><br>with deadlight |                         |
| Tel: +48 52 3216131                              | Fax: +48 52 3764726     |
| Email: promap@promap.eu                          |                         |
| ISO 1751-IRW                                     | AutoCAD file no. SHW-02 |