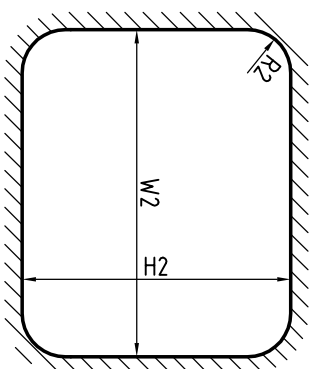
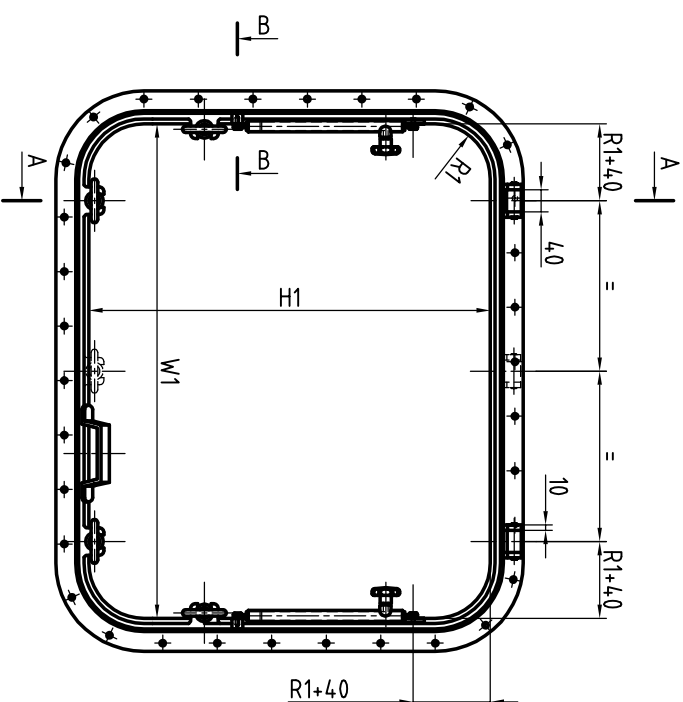


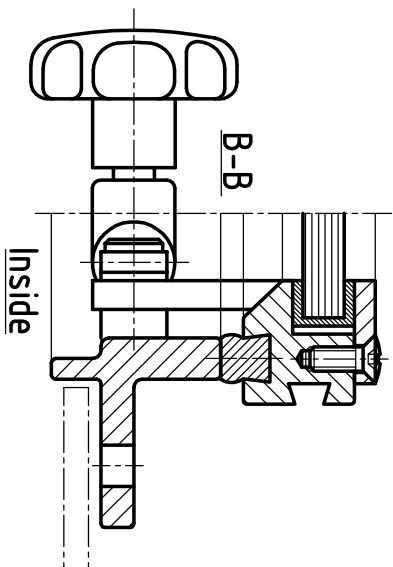
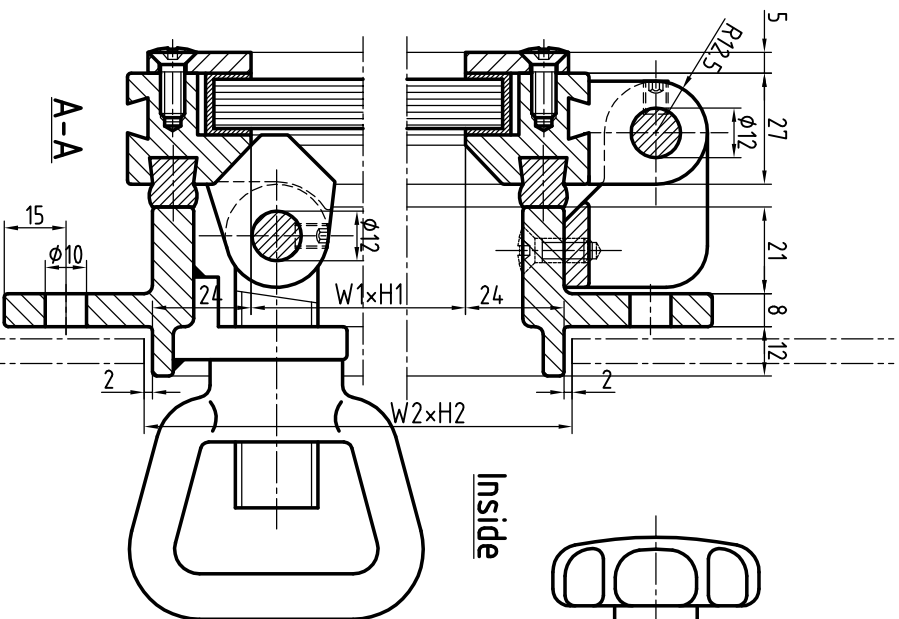
### Hole in plate



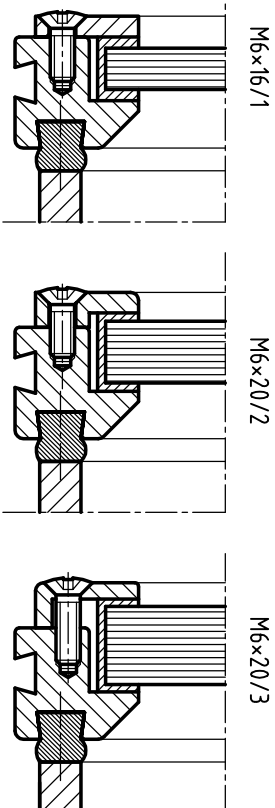
Materials:  
 Bolt/frame: Brass/Aluminum  
 Glass/frame: Brass/Aluminum  
 Screwing/list: Brass/Aluminum/Stainless steel  
 Hinge pins: Brass/Stainless steel  
 U-Sealant: Rubber  
 Glasspane: Toughened glass,  
 tested acc. to ISO 614  
 Screws: Brass/Stainless steel DIN 966, M6x16/M6x20  
 Fasteners: Brass/Stainless steel  
 Sliding expander: Brass/Stainless steel



### Inside



### Inside



\* with 8 fasteners

No	Nominal size	Hole in plate	Radius	Glass thick.	Screws and list
1	W1xH1	W2xH2	R1 R2	type E type F	type E type F
1	500x710	552x762	100 126	15 10	M6x20/2 M6x16/1
2	560x800	612x852	100 126	15 10	M6x20/2 M6x16/1
3	900x630	952x682	100 126	19 12	M6x20/3 M6x16/1
4*	1000x710	1052x762	100 126	19 12	M6x20/3 M6x16/1
5*	1100x800	1152x852	100 126	- 15	- M6x20/2

**PROMAP LTD.**  
**Bydgoszcz, POLAND**

Drawn: Skenski Date: 01-04-2014

Title: **Outside hinged window OTW**

Tel: +48 52 3216131 Fax: +48 52 3764726

Email: promap@promap.eu

ISO 3903

AutoCAD file no. **WHB-04**