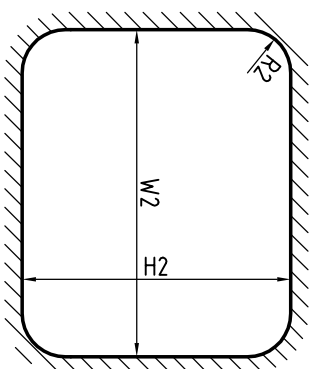
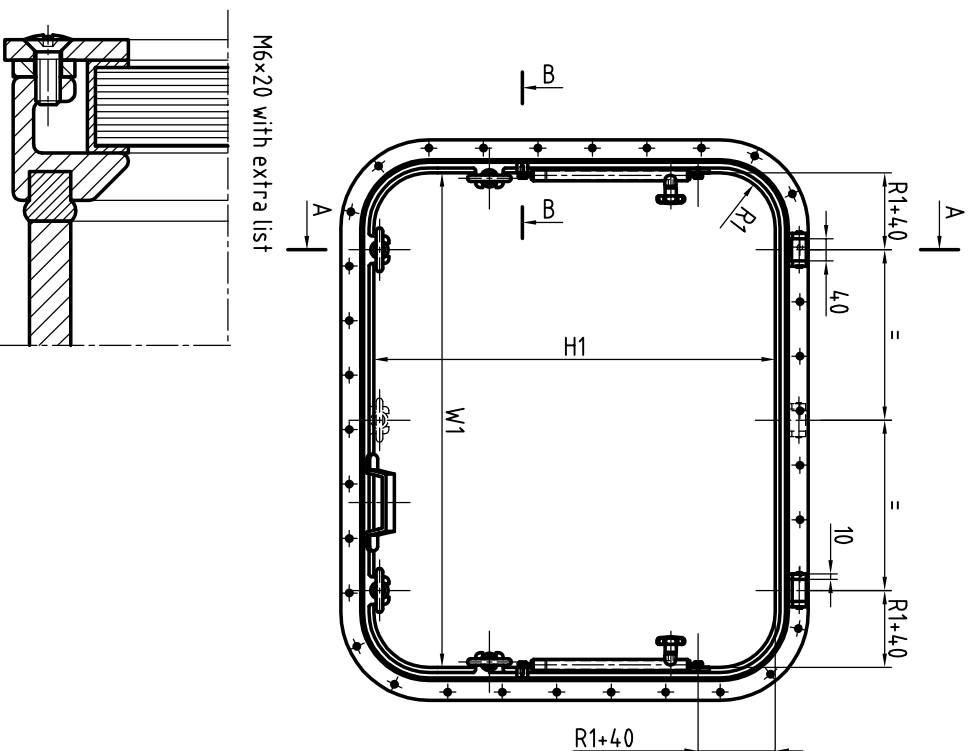
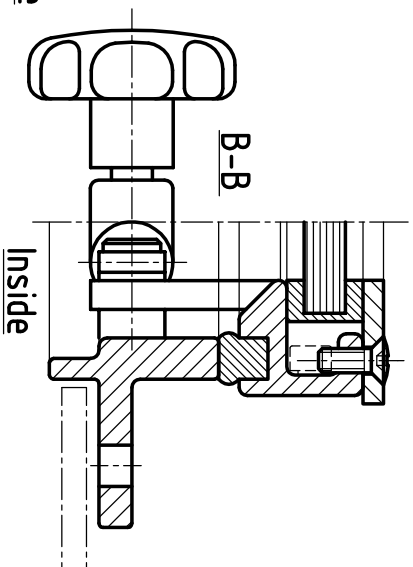
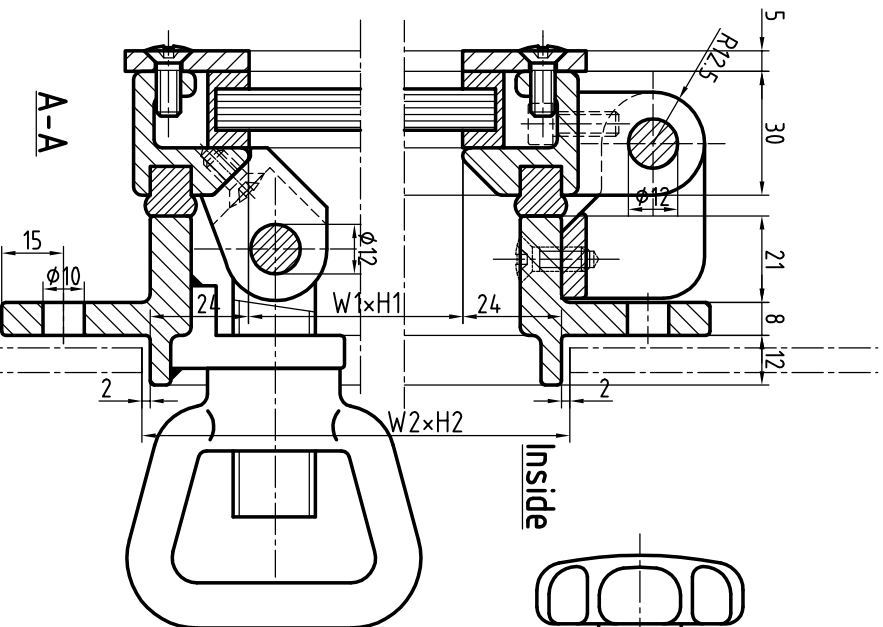


Hole in plate



Materials:
 Bolt/frame: Aluminum
 Glass/frame: Stainless steel
 Screw/ligist: Stainless steel
 Hinge pins: Stainless steel
 U-Sealant: Rubber
 Glasspane: Toughened glass,
 tested acc. to ISO 614
 Screws: Stainless steel DIN 966, M6x16/M6x20
 Fasteners: Stainless steel
 Sliding expander: Stainless steel



* with 8 fasteners

No	Nominal size	Hole in plate	Radius	Glass thck.	Screws and list
	W1xH1	W2xH2	R1 R2	type E type F	type E type F
1	500x710	552x762	100 126	15 10	M6x16 M6x16
2	560x800	612x852	100 126	15 10	M6x16 M6x16
3	900x630	952x682	100 126	19 12	with extra list/M6x20 M6x16
4*	1000x710	1052x762	100 126	19 12	with extra list/M6x20 M6x16
5*	1100x800	1152x852	100 126	- 15	M6x20/2

PROMAP LTD.
Bydgoszcz, POLAND

Drawn: Skenski Date: 01-04-2014

Title: **Outside hinged window OTW**

Tel: +48 52 3216131 Fax: +48 52 3764726

Email: promap@promap.eu

ISO 3903

AutoCAD file no. **WHB-04.1**