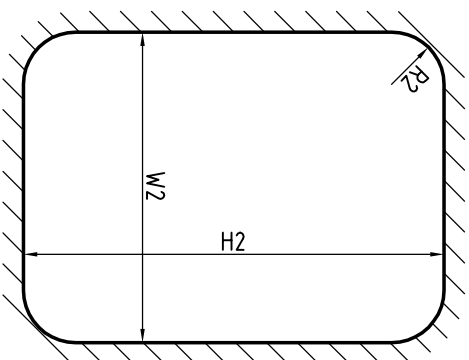
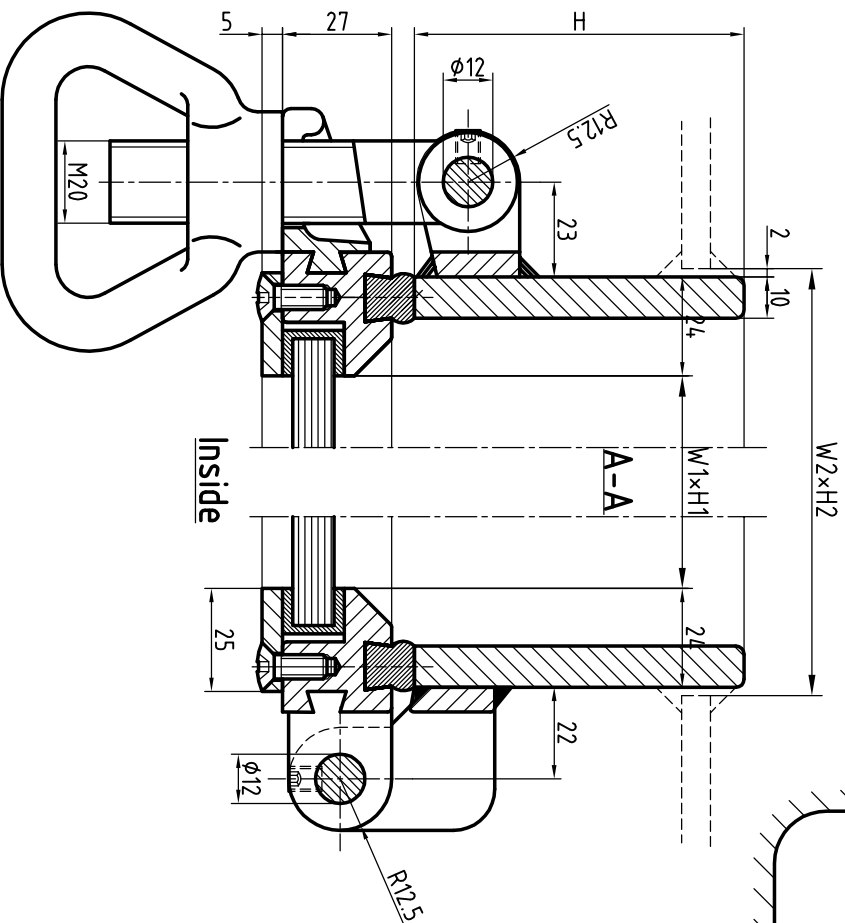
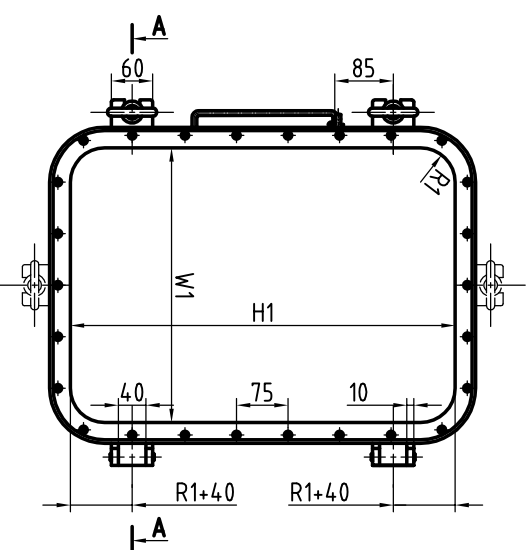


**Materials:**  
 Weldingframe: Mild steel/Aluminum/Stainless steel  
 Glassframe: Brass/Aluminum  
 Screwinglist: Brass/Aluminum/Stainless steel  
 Hinge pins: Brass/Stainless steel  
 U-Sealant: Rubber  
 Glasspane: Toughened glass,  
 tested acc. to ISO 614  
 Screws: Brass/Stainless steel DIN 966, M6x16/M6x20  
 Fasteners: Brass/Stainless steel

Hole in plate

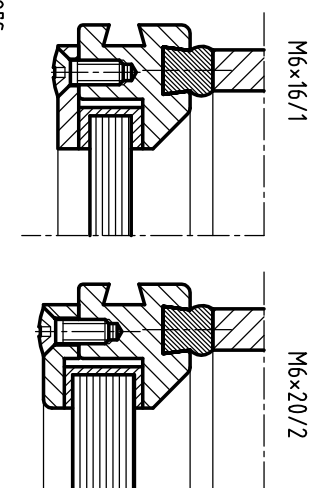


Right hinged, IRW is drawn  
 Left hinged is opposite



\* with 6 fasteners

No	Nominal size	Hole in plate	Radius		Glass thick.						Screws and list	Frame height
			R1	R2	type E	type F	type E	type F	type E	type F		
1	300x4,25	352x4,77	50	76	10	10	M6x16/1	M6x16/1	M6x16/1	M6x16/1		standard-80mm
2	355x5,00	407x5,52	50	76	10	10	M6x16/1	M6x16/1	M6x16/1	M6x16/1		
3	4,00x5,60	4,52x6,12	50	76	12	10	M6x16/1	M6x16/1	M6x16/1	M6x16/1		
4	4,50x6,30	5,02x6,82	100	126	12	10	M6x16/1	M6x16/1	M6x16/1	M6x16/1		
5*	500x7,10	552x7,62	100	126	15	10	M6x20/2	M6x20/2	M6x16/1	M6x16/1		
6*	560x8,00	612x8,52	100	126	15	10	M6x20/2	M6x20/2	M6x16/1	M6x16/1		



**PROMAP LTD.**  
**Bydgoszcz, POLAND**

Drawn:	Data:	
Skenski	01-04-2014	
Title: <b>Inside hinged window IW</b>		
Tel: +48 52 3216131	Fax: +48 52 3764726	ISO 3903
Email: promap@promap.eu		AutoCAD file no. <b>WHW-02</b>