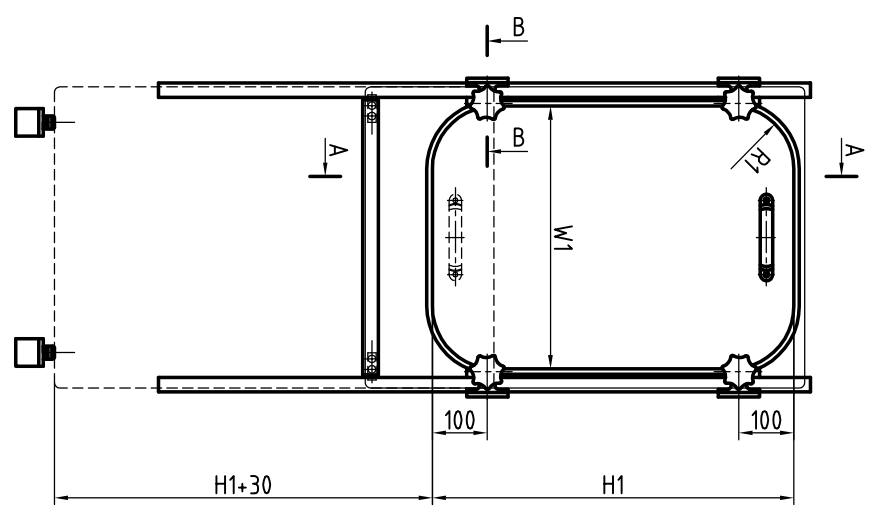


Materials:
 Weldingframe: Mild steel/Aluminum
 Glasspane: Toughened glass,
 tested acc. to ISO 614
 Fasteners: Stainless steel



Frame height - standard H=80

PROMAP Ltd.		Drawn:	Date:
Bydgoszcz, POLAND		Skenski	01-04-2014
Sliding window		Title	
Teli : +48 52 3216131 Fax: +48 52 3764726			
Email : promap@promap.eu			
AutocAD file no. MSW-02			