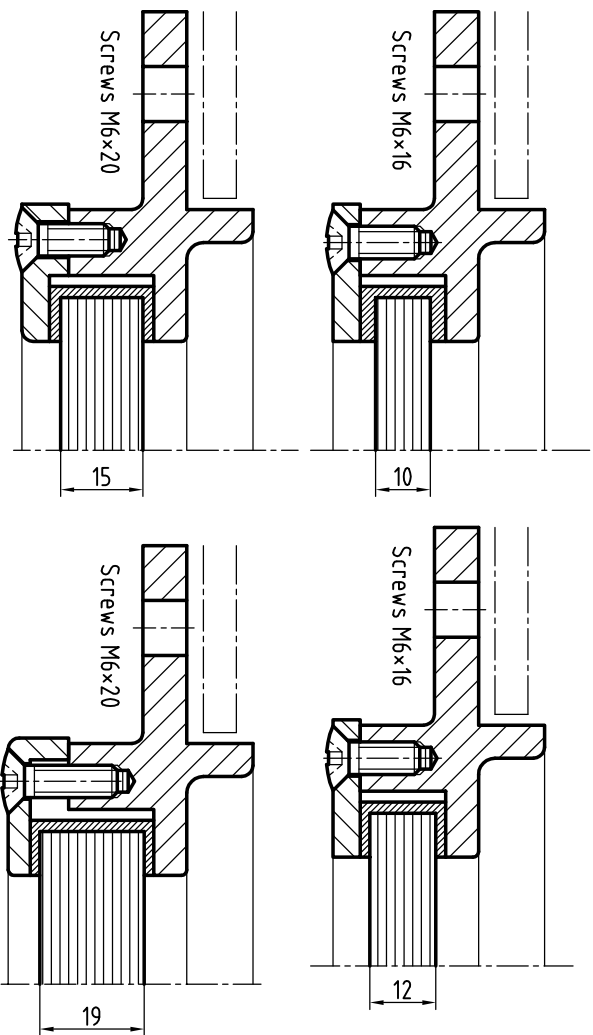
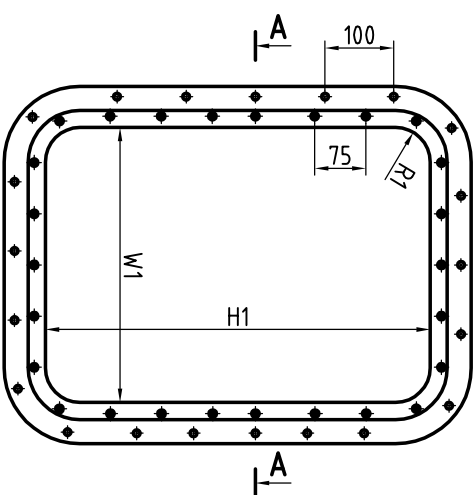
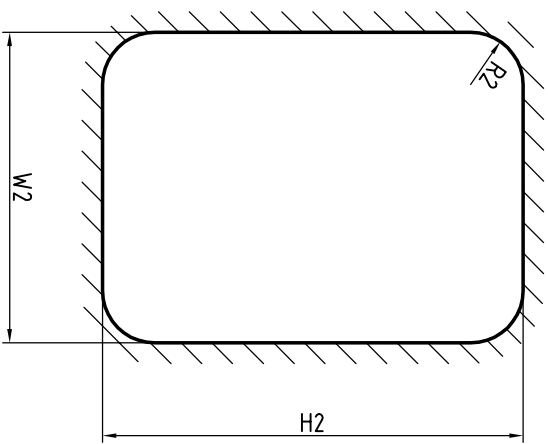


Hole in plate



Materials:
 Boltingframe: Brass/Aluminum
 Retaining list: Brass/Aluminum/Stainless steel
 U-Sealant: Rubber
 Glasspane: Toughened glass,
 tested acc. to ISO 614
 Screws: Brass/Stainless steel DIN 966, M6x16

No	Nominal size	Hole in plate	Radius
	W1xH1	W2xH2	R1 R2
1	300x425	352x477	50 76
2	355x500	407x552	50 76
3	400x560	452x612	50 76
4	450x630	502x682	100 126
5	500x710	552x762	100 126
6	560x800	612x852	100 126

PROMAP LTD.
Bydgoszcz, POLAND

Drawn: Skenski Date: 01-04-2014

Fixed window

Tel: +48 52 3216131 Fax: +48 52 3764726
 Email: promap@promapeu

AutoCAD file no. **WFB-01**