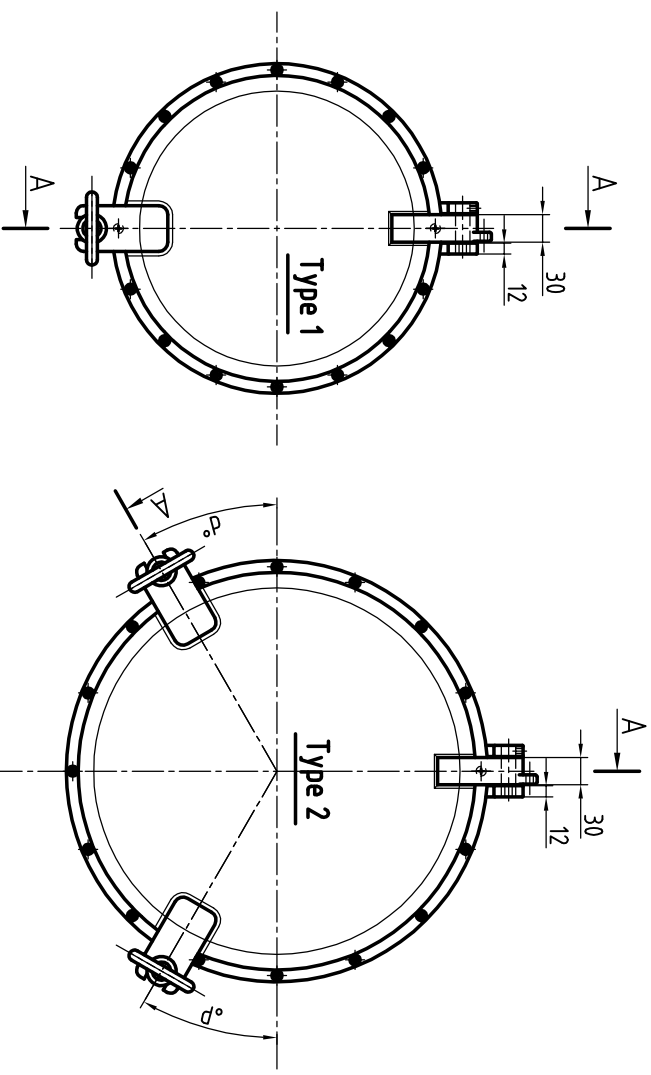


Materials:
 Weldingframe: Mild steel/Aluminum/Stainless steel
 Retaining list: Brass/Aluminum/Stainless steel
 U-Sealant: Rubber
 Hinge pins: Brass/Stainless steel
 Glasspane: Toughened glass, tested acc. to ISO 614
 Deadlight: Mild steel
 Fasteners: Brass/Stainless steel
 Screws: Brass/Stainless steel
 DIN 966, M6x16



Nominal size d1	Hole in plate d2	Type/d (°)	Glass thickness		Glass chamber		Frame height standard-80mm
			type A	type B	type A	type B	
250	308	1 -	12	8	15	13	
300	363	1 -	15	10	18	15	
350	413	2 33	15	12	18	15	
400	463	2 30	19	12	22	15	
450	513	2 30	19	12	22	15	

PROMAP LTD.		Drawn:	Data:	ISO 1751-NOW
Bydgoszcz, POLAND		Skenski	01-04-2014	
Fixed sidelight		with deadlight		AutoCAD file no. SFW-02
Tel: +48 52 3216131		Fax: +48 52 3764726		
Email: promap@promap.eu		AutoCAD file no.		