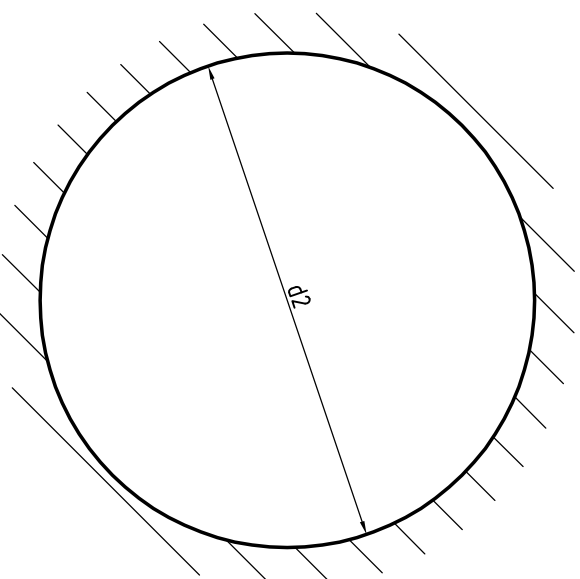
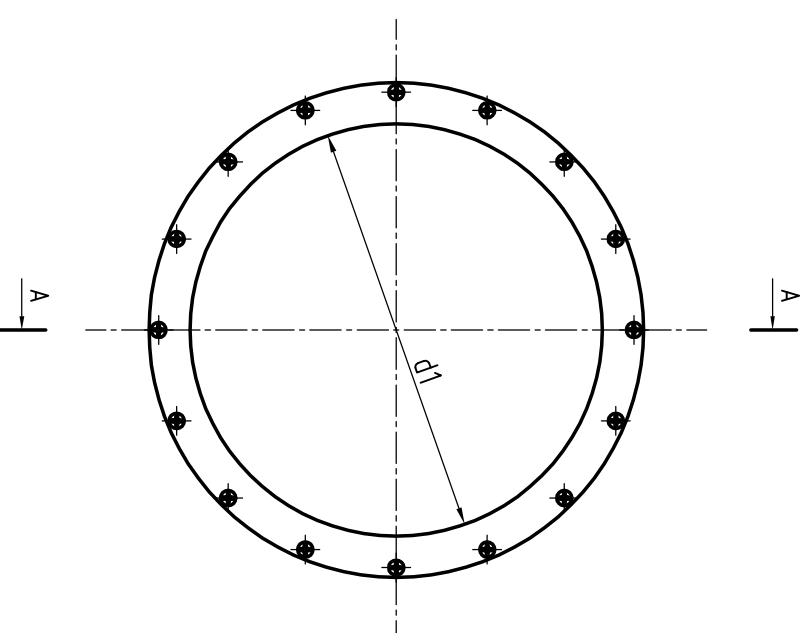


A-A



Hole in plate



A

A

Materials:
 Weldingframe: Mild steel/Aluminum/Stainless steel
 Retaining list: Brass/Aluminum/Stainless steel
 U-Sealant: Rubber
 Glasspane: Toughened glass,
 tested acc. to ISO 614
 Screws: Brass/Stainless steel DIN 966, M6x16

Nominal size d1	Hole in plate d2	Glass thickness		Glass chamber		Frame height
		type A	type B	type A	type B	
250	308	12	8	15	13	standard-80mm
300	363	15	10	18	15	
350	413	15	12	18	15	
400	463	19	12	22	15	
450	513	19	12	22	15	

PROMAP LTD.		Drawn:	Date:	
Bydgoszcz, POLAND		Skenski	01-04-2014	
Fixed sidelight		Title		ISO 1751-NOW
Toll : +48 52 3216131		Fax: +48 52 3764726		AutoCAD file no.
Email : promap@promap.eu				SFW-01