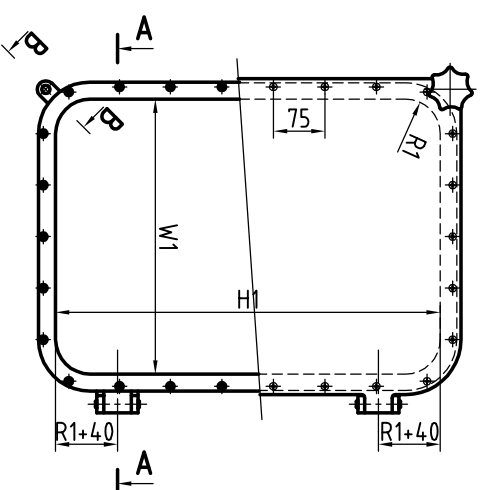
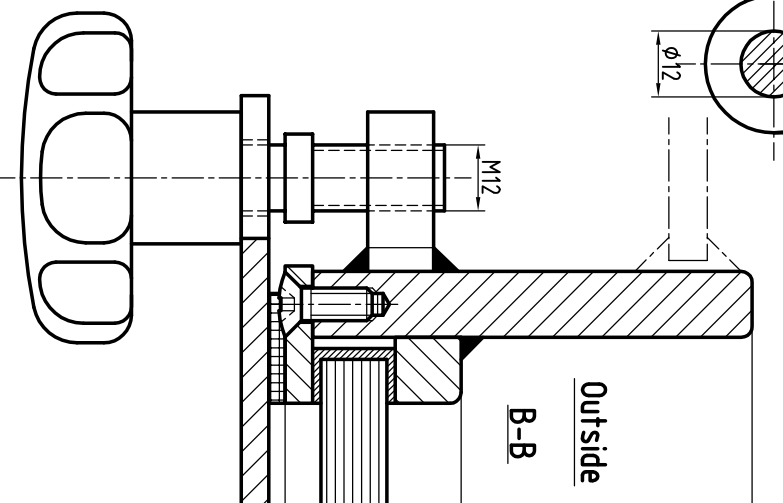


Hole in plate



Deadlight is righthinged  
Left hinges is opposite

Materials:  
 Weldingframe: Mild steel/Aluminum/Stainless steel  
 Retaining list: Brass/Aluminum/Stainless steel  
 U-Sealant: Rubber  
 Glasspane: Toughened glass,  
 tested acc. to ISO 614  
 Screws: Brass/Stainless steel DIN 966, M6x16  
 Deadlight: Mild steel/Aluminum/Stainless steel  
 Fasteners: Stainless steel



No	Nominal size		Hole in plate		Radius		Glass thick.			Glass chamber			Frame height
	W1xH1	W2xH2	R1	R2	type E	type F	type E	type E	type E	type E	type E		
1	300x425	352x477	50	76	10	10	15	15	15	15	15	standard-80mm	
2	355x500	407x552	50	76	10	10	15	15	15	15			
3	400x560	452x612	50	76	12	10	15	15	15	15			
4	450x630	502x682	100	126	12	10	15	15	15	15			
5	500x710	552x762	100	126	15	10	18	18	15	15			
6	560x800	612x852	100	126	15	10	18	18	15	15			

**PROMAP LTD.**  
 Bydgoszcz, POLAND

Drawn: Skenski Date: 01-04-2014  
 Title: **Fixed window**  
 with hinged deadlight

Tel: +48 52 3216131 Fax: +48 52 3764726  
 Email: promap@promap.eu

AutoCAD file no. **WFW-03**